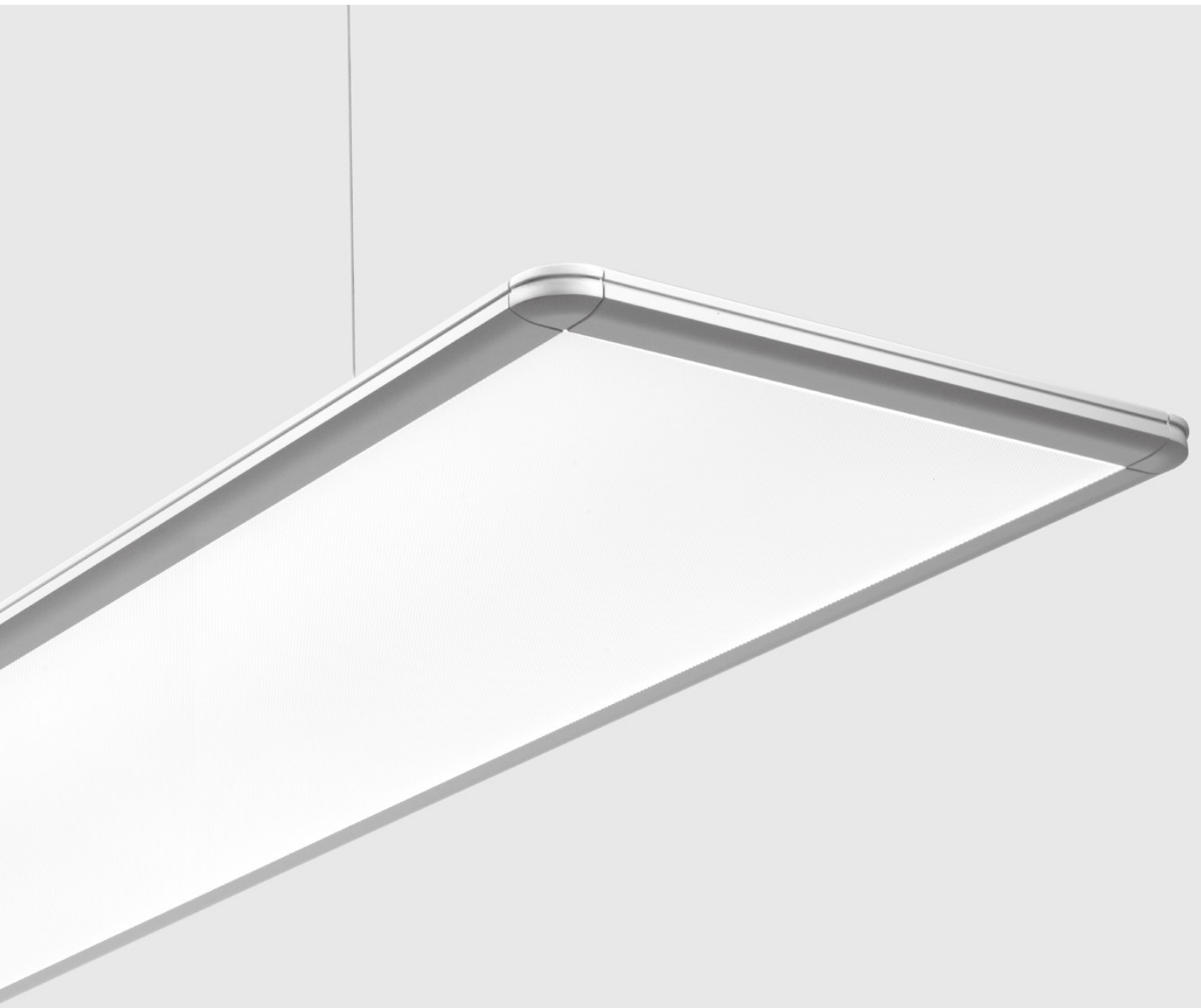


alteme⁺



reddot award 2018
winner lighting design

CHIARA

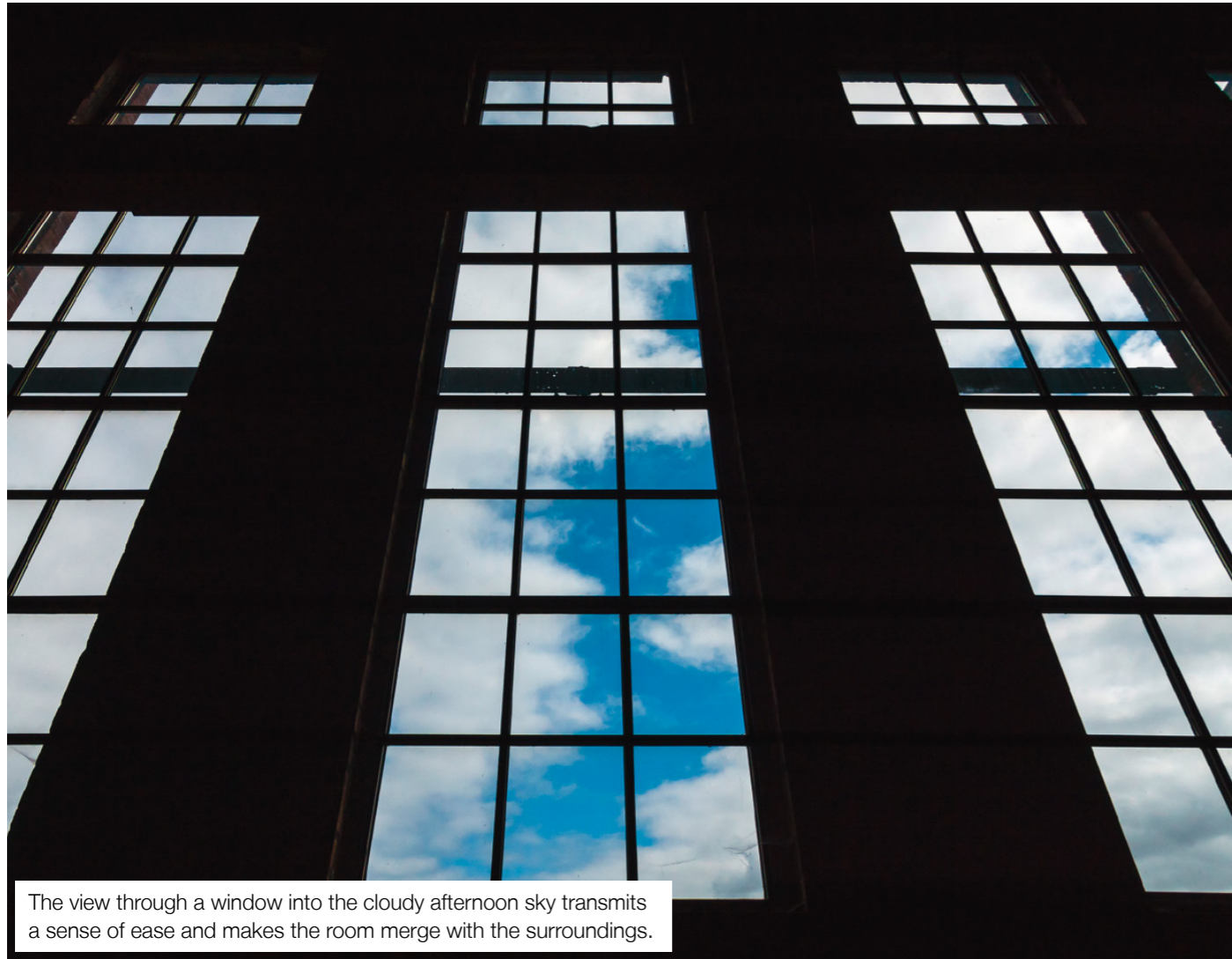
CHIARA

PURE LIGHT IN THE MOST LIGHTWEIGHT FORM

The CHIARA range of luminaires caters to the desire of many architects to integrate pure light into architecture instead of lamps. To reach this goal, CHIARA's design focuses on the greatest possible formal reduction. The luminaire's discreet appearance is characterised by a delicate luminaire profile with lateral light integration. Power is supplied directly through the suspension cable and thus CHIARA makes the light appear to float. When switched off, the semi-transparent, conical microstructured prism (CDP) design gives a diffused view and the surface is reminiscent of the structure of a cut diamond.

INSPIRATION

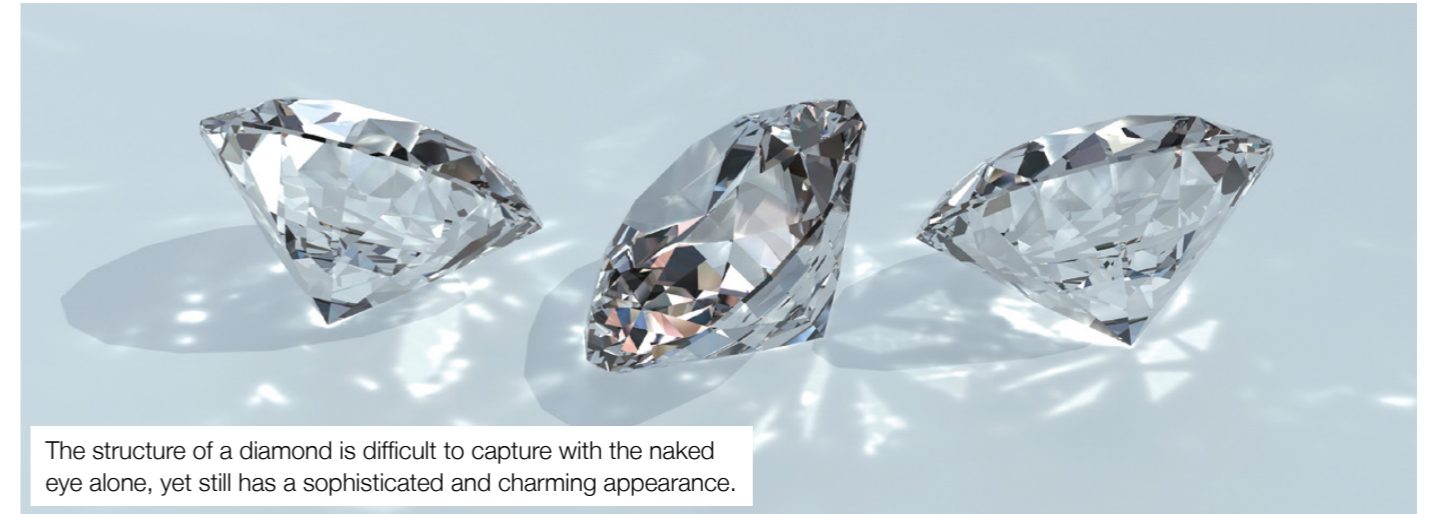
A DESIGN IS ONLY SUCCESSFUL IF A PRODUCT IS PLEASING TO THE EYE,
WITHOUT HAVING TO DELIBERATELY PAY ATTENTION TO THE SHAPE.



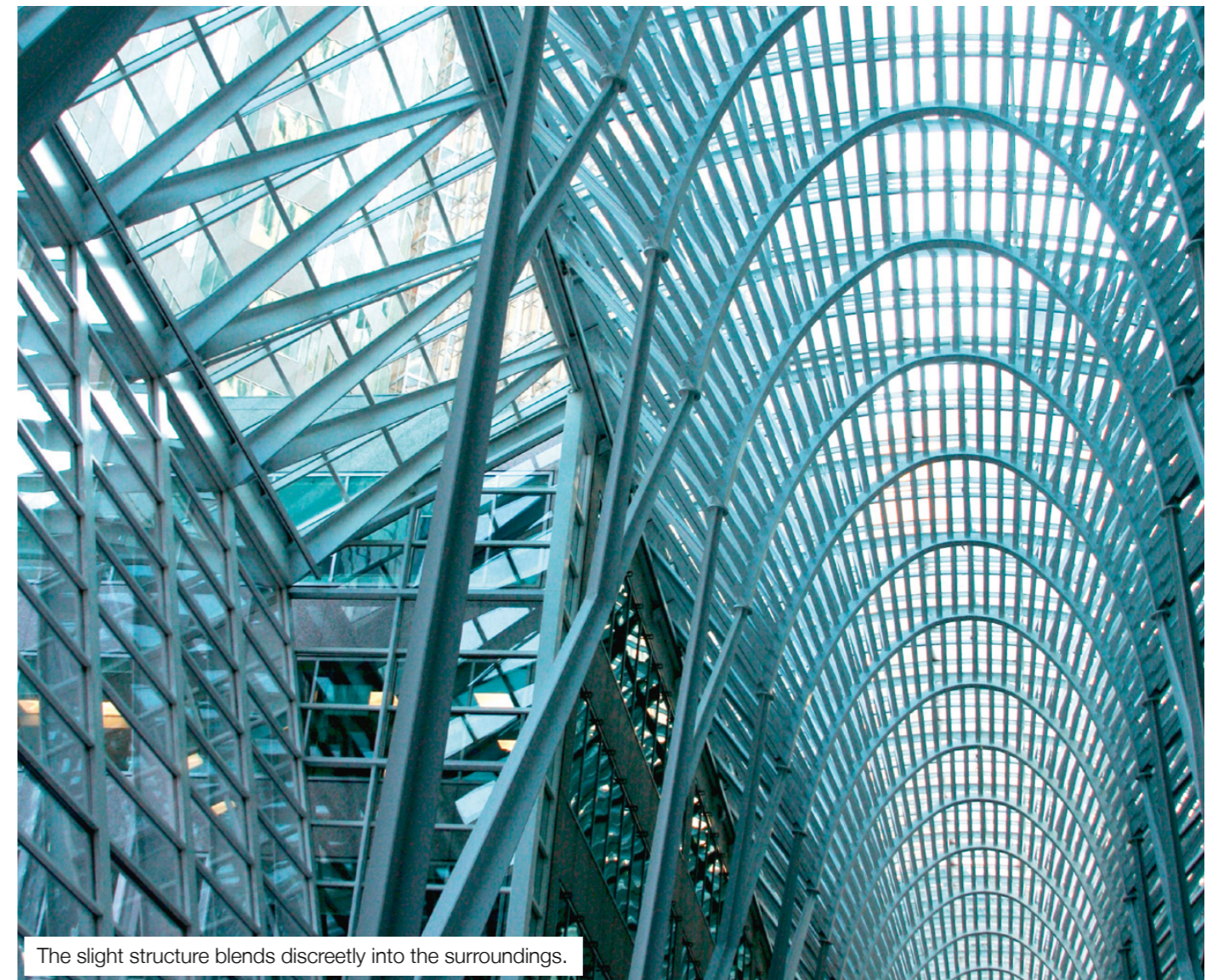
The view through a window into the cloudy afternoon sky transmits a sense of ease and makes the room merge with the surroundings.



A clear and timeless design language for modern architecture.



The structure of a diamond is difficult to capture with the naked eye alone, yet still has a sophisticated and charming appearance.

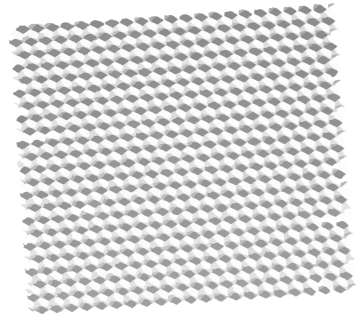


The slight structure blends discreetly into the surroundings.

CONCEPT

IN ORDER TO SATISFY THE MOST DISCERNING DEMANDS, WE ARE ALWAYS SEARCHING FOR THE PERFECT COMBINATION OF PERFORMANCE AND DESIGN AND CREATE ALL LUMINAIRES IN STRICT ACCORDANCE WITH THE USER'S REQUIREMENTS.

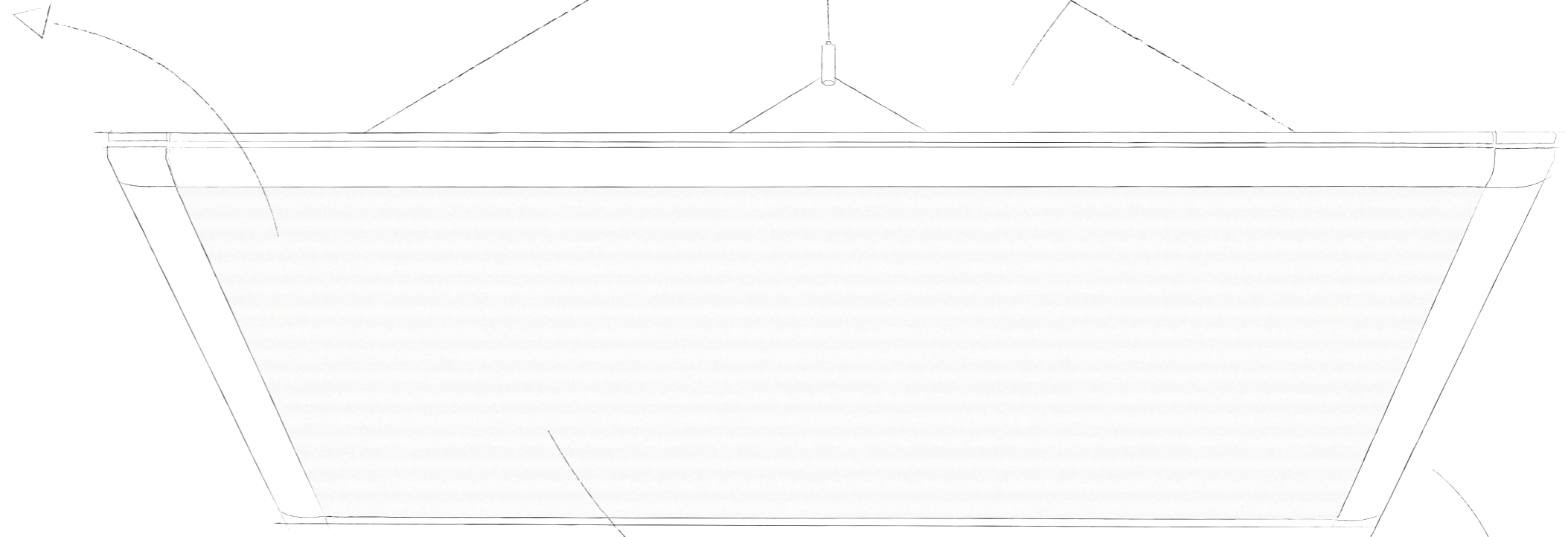
The look is as transparent as possible



Simple levelling

No troublesome cable

The luminaire should have a delicate look and appear to float



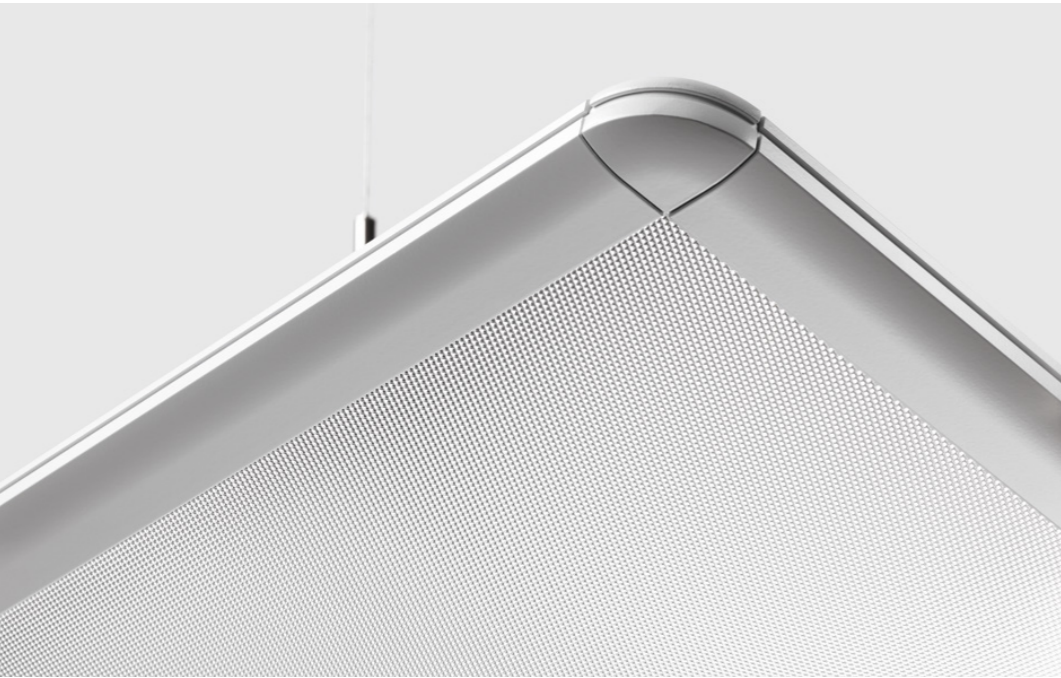
Compatible for use with workstations

No electronics on the casing

Variable design language (square or round)

PRESENTATION

WE PLACE SPECIAL EMPHASIS ON A TIMELESS
AND UNOBTRUSIVE DESIGN LANGUAGE. THIS WAS CONFIRMED
WHEN WE WON THE RED DOT AWARD IN 2018.



APPLICATION

WE SEE OUR LUMINAIRES AS HIGH-QUALITY TOOLS
THAT EXPRESS THE ARCHITECTURE IN A TARGETED WAY WHILST
ALSO SUPPORTING THE USER IDEALLY IN THEIR APPLICATION.





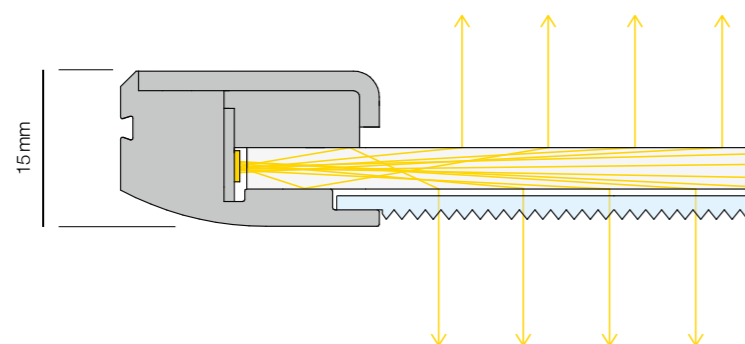


FEATURES & BENEFITS

LATERAL LIGHT INTEGRATION AND EVEN LIGHT DENSITY

In the CHIARA range, the LEDs are integrated into the profile frame and light is deflected upwards and downwards through the laser-structured light guide panel (LGP). This sophisticated design allows a minimalistic frame profile with a thickness of just 15 mm to be achieved.

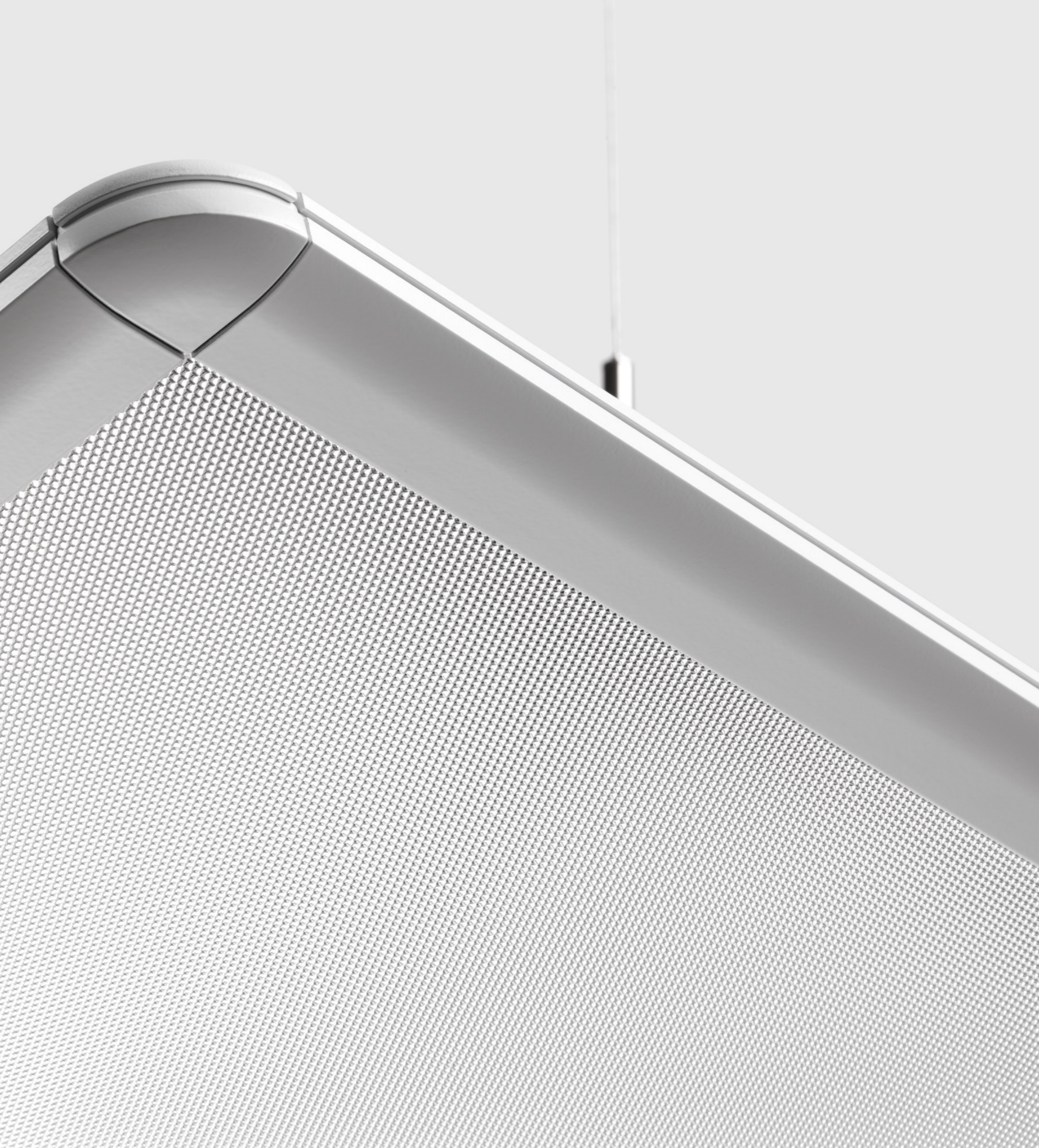
The light guide panel distributes light completely evenly across the entire surface of the luminaire. The semi-transparent conical microstructured prism (CDP) ensures a low glare level and guarantees a high level of visual comfort.



LIGHTWEIGHT APPEARANCE THROUGH FORMAL REDUCTION

In addition to the subtle frame profile, CHIARA has even more features that enhance its lightweight appearance. The electricity is supplied directly through the unobtrusive steel suspension cable, doing away with the need for a troublesome power cord. To ensure the design of the luminaire body is as subtle as possible, all the electronics were integrated in the baldachin. With the help of an optional accessory set, the electronics can also be integrated in a suspended ceiling, thus reducing the visual appearance of CHIARA to an absolute minimum. An attractive cover plate with a magnetic mount covers the ceiling section and at the same time facilitates simple installation.

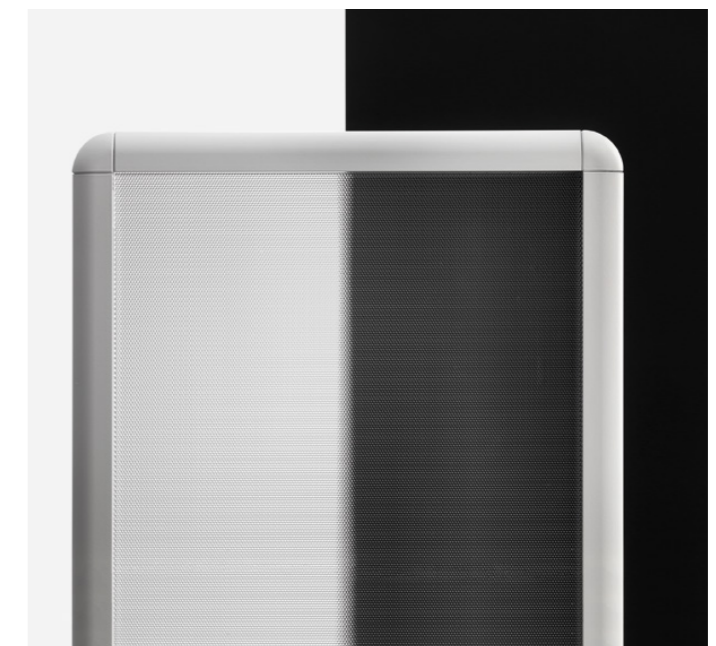




SEMI-TRANSPARENT COVER WITH DELICATE STRUCTURE

When switched off, the background is diffused due to the slightly transparent cover, allowing CHIARA to literally blend in with the surroundings.

On closer inspection, the conical microstructured prism CDP is reminiscent of the iridescent structure of a cut diamond and highlights the sophisticated appearance of the luminaire.





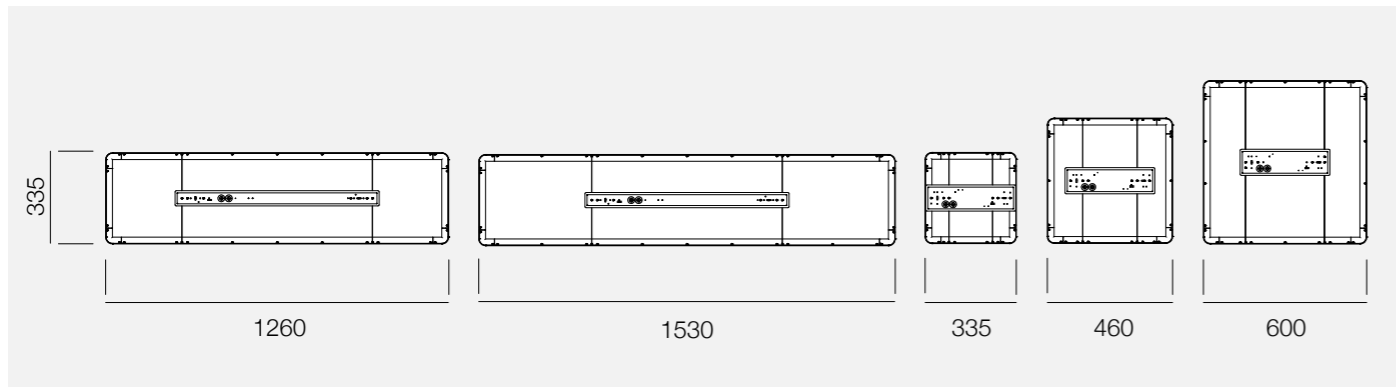
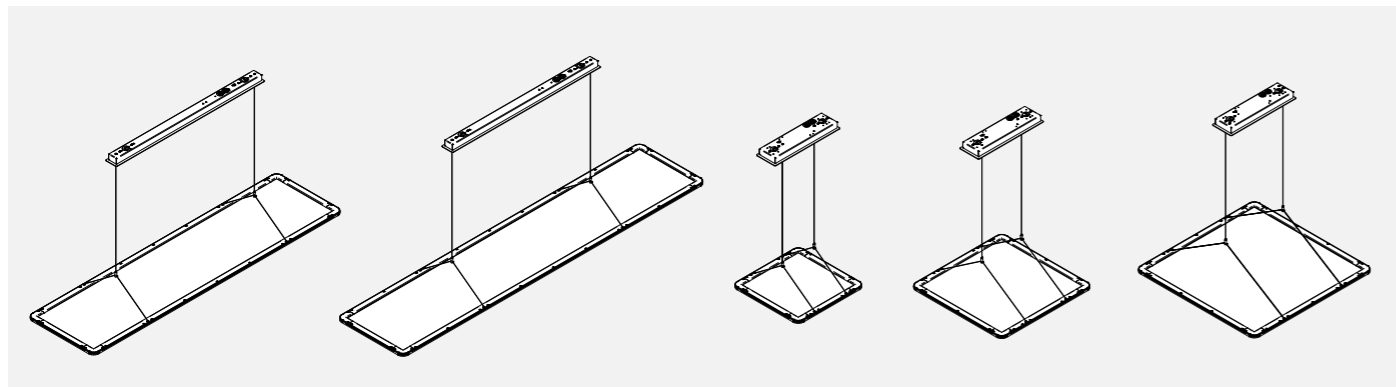
BEST LIGHT TO SATISFY THE MOST DISCERNING DEMANDS

Along with its understated shape, CHIARA offers impressively high quality lighting technology. CHIARA allows the most efficient lighting solutions to be implemented, with a light efficiency of up to 125lm/W. The low glare level of max. UGR 11.2 and a light density of max. 1,435cd/m² make CHIARA the perfect piece of equipment for ideal workplace lighting. The initial 3-step MacAdam binning produces a high colour consistency and a consistent light colour perception when several luminaires are used in the same room.

GREAT VARIABILITY FOR FLEXIBLE LIGHTING CONCEPTS

CHIARA is available in a variety of models and design options to satisfy all manner of different project requirements. The two rectangular models with a length of 1,260mm and 1,530mm are particularly suited to perfectly illuminate computer workstations. The three square models can be ideally combined in terms of size, providing dynamic lighting concepts for recreation spaces and lounge areas. All models are available in the 3,000 or 4,000K options and in CRI \geq 80 or CRI \geq 90. CHIARA can ideally adapt to the design language of the furniture with the design options of curved or straight edges. The range is completed with the On/Off and DALI activation options.





MODEL OVERVIEW

MODELS VERSIONS



Types of luminaires	Dimensions	Page
Rectangular, regular	15 x 335 x 1,260 mm	22-23
Rectangular, long	15 x 335 x 1,530 mm	24-25
Square, small	15 x 335 x 335 mm	26-27
Square, medium	15 x 460 x 460 mm	28-29
Square, large	15 x 600 x 600 mm	30-31

MODELS VARIANTS

Colour temperature	Colour rendering index
3,000K/4,000K	CRI ≥ 80 / CRI ≥ 90
3,000K/4,000K	CRI ≥ 80 / CRI ≥ 90
3,000K/4,000K	CRI ≥ 80 / CRI ≥ 90
3,000K/4,000K	CRI ≥ 80 / CRI ≥ 90
3,000K/4,000K	CRI ≥ 80 / CRI ≥ 90

DESIGN OPTIONS

Design

Curved edges	 R** **1*.B
Straight edges	 R** **6*.B

Activation

On/Off	R** **1.B
DALI	R** **6.B

RECTANGULAR REGULAR

Square luminaire body made from aluminium with the option of rounded or straight edges. Extremely flat design (just 15 mm). White powder-coated surface. Lateral light integration with LEDs, initially 3-step MacAdam. Electricity supplied directly through the suspension cable. Converter integrated into the baldachin. It is possible to install the baldachin in suspended ceilings using separate accessories. Direct/indirect light distribution and completely even illumination of the light field through the light guide panel (LGP). Workplace lighting suitable for computer workstations in accordance with DIN EN 12464-1 UGR < 19 through conical microstructured prism (CDP). 3,000K or 4,000K models, On/Off or DALI.





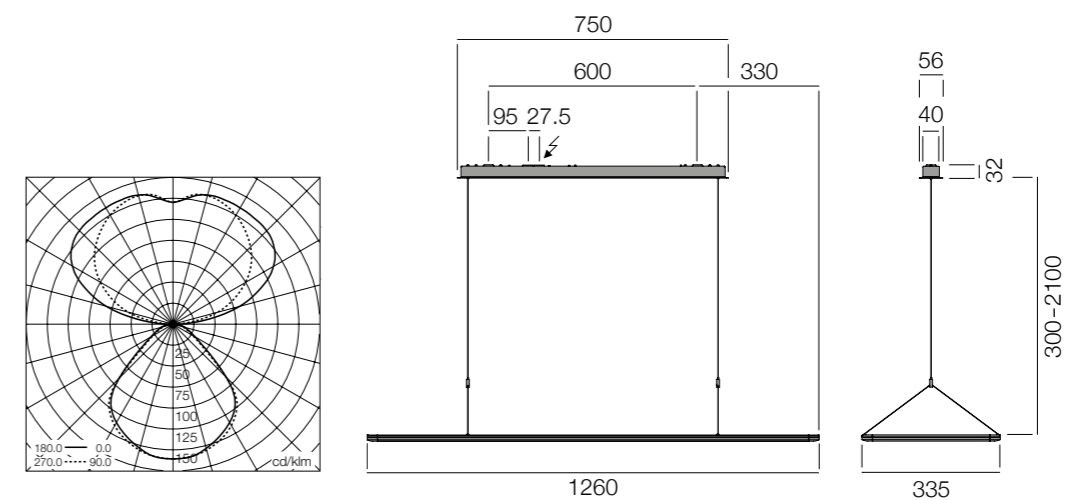
DESIGNS

Item no.	Dimensions	CCT	CRI	Φ Ng	ε Ng
R14 73XY.B	15 x 335 x 1260 mm	3,000K	≥80	6,744 lm	106 lm/W*
R14 77XY.B	15 x 335 x 1260 mm	3,000K	≥90	5,814 lm	91 lm/W*
R14 74XY.B	15 x 335 x 1260 mm	4,000K	≥80	6,977 lm	110 lm/W*
R14 78XY.B	15 x 335 x 1260 mm	4,000K	≥90	6,047 lm	95 lm/W*

*figure for DALI version

DESIGN OPTIONS

Shape X			Activation Y		
Curved edges		R** **1*.B	On/Off	P=64.5 W	R** **1*.B
Straight edges		R** **6*.B	DALI	P=63.7 W	R** **6*.B



RECTANGULAR LONG

Square luminaire body made from aluminium, with the option of rounded or straight edges. Extremely flat design (just 15 mm). White powder-coated surface. Lateral light integration with LEDs, initially 3-steps MacAdam. Electricity supplied directly through the suspension cable. Converter integrated into the baldachin. It is possible to install the baldachin in suspended ceilings using separate accessories. Direct/indirect light distribution and completely even illumination of the light field through the light guide panel (LGP). Workplace lighting suitable for computer workstations in accordance with DIN EN 12464-1 UGR < 19 through conical microstructured prism (CDP). 3,000K or 4,000K models, On/Off or DALI.



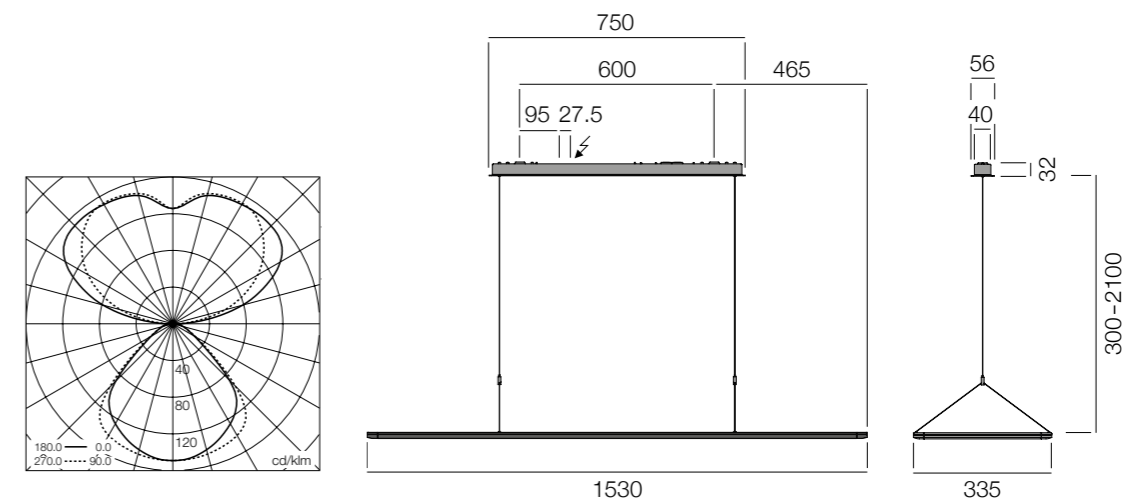
DESIGNS

Item no.	Dimensions	CCT	CRI	Φ Ng	ε Ng
R15 73XY.B	15 x 335 x 1530 mm	3,000K	≥80	9,306lm	120lm/W*
R15 77XY.B	15 x 335 x 1530 mm	3,000K	≥90	8,023lm	104lm/W*
R15 74XY.B	15 x 335 x 1530 mm	4,000K	≥80	9,627lm	125lm/W*
R15 78XY.B	15 x 335 x 1530 mm	4,000K	≥90	8,343lm	108lm/W*

*figure for DALI version

DESIGN OPTIONS

Shape X		Activation Y	
Curved edges	R** **1*.B	On/Off P=78W	R** **1*.B
Straight edges	R** **6*.B	DALI P=77.3W	R** **6*.B



SQUARE SMALL

Square luminaire body made from aluminium, with the option of rounded or straight edges. Extremely flat design (just 15 mm). White powder-coated surface. Lateral light integration with LEDs, initially 3-steps MacAdam. Electricity supplied directly through the suspension cable. Converter integrated into the baldachin. It is possible to install the baldachin in suspended ceilings using separate accessories. Direct/indirect light distribution and completely even illumination of the light field through the light guide panel (LGP). Workplace lighting suitable for computer workstations in accordance with DIN EN 12464-1 UGR < 19 through conical microstructured prism (CDP). 3,000K or 4,000K models, On/Off or DALI.



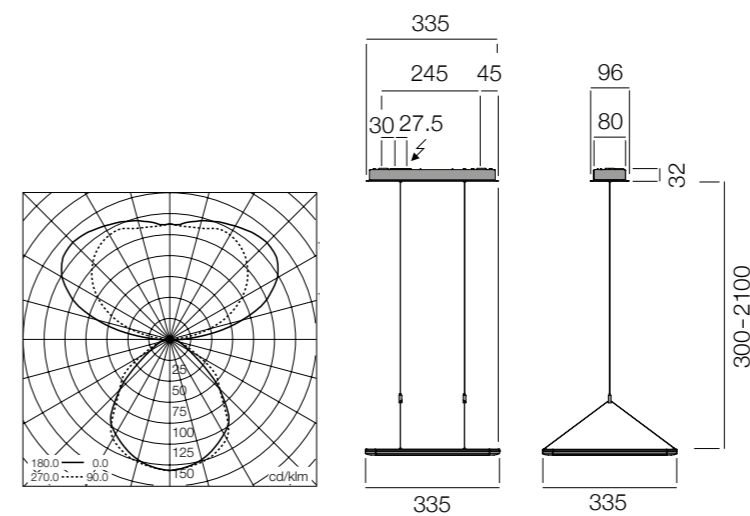
DESIGNS

Item no.	Dimensions	CCT	CRI	Φ Ng	ε Ng
R11 73XY.B	15 x 335 x 335 mm	3,000K	≥80	1,108lm	98lm/W*
R11 77XY.B	15 x 335 x 335 mm	3,000K	≥90	955lm	85lm/W*
R11 74XY.B	15 x 335 x 335 mm	4,000K	≥80	1,146lm	101lm/W*
R11 78XY.B	15 x 335 x 335 mm	4,000K	≥90	993lm	88lm/W*

*figure for DALI version

DESIGN OPTIONS

Shape X		Activation Y	
Curved edges	R** **1*.B	On/Off P=12.4W	R** **1.B
Straight edges	R** **6*.B	DALI P=11.3W	R** **6.B



DALI
IP20
LED
ON/OFF
MINERGIE PENDING
EN12464

SQUARE MEDIUM

Square luminaire body made from aluminium, with the option of rounded or straight edges. Extremely flat design (just 15 mm). White powder-coated surface. Lateral light integration with LEDs, initially 3-steps MacAdam. Electricity supplied directly through the suspension cable. Converter integrated into the baldachin. It is possible to install the baldachin in suspended ceilings using separate accessories. Direct/indirect light distribution and completely even illumination of the light field through the light guide panel (LGP). Workplace lighting suitable for computer workstations in accordance with DIN EN 12464-1 UGR < 19 through conical microstructured prism (CDP). 3,000K or 4,000K models, On/Off or DALI.



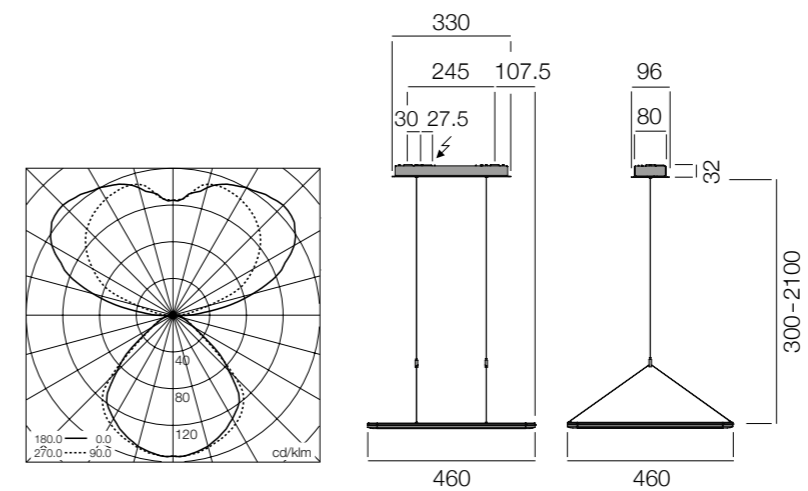
DESIGNS

Item no.	Dimensions	CCT	CRI	Φ Ng	ε Ng
R12 73XY.B	15 x 460 x 460 mm	3,000K	≥80	2,396lm	109lm/W*
R12 77XY.B	15 x 460 x 460 mm	3,000K	≥90	2,066lm	94lm/W*
R12 74XY.B	15 x 460 x 460 mm	4,000K	≥80	2,479lm	113lm/W*
R12 78XY.B	15 x 460 x 460 mm	4,000K	≥90	2,148lm	98lm/W*

*figure for DALI version

DESIGN OPTIONS

Shape X		Activation Y	
Curved edges	R** **1*.B	On/Off P=23W	R** **1.B
Straight edges	R** **6*.B	DALI P=22W	R** **6.B



DALI
IP20
LED
ON/OFF
MINERGIE PENDING
EN12464

SQUARE LARGE

Square luminaire body made from aluminium, with the option of rounded or straight edges. Extremely flat design (just 15 mm). White powder-coated surface. Lateral light integration with LEDs, initially 3-steps MacAdam. Electricity supplied directly through the suspension cable. Converter integrated into the baldachin. It is possible to install the baldachin in suspended ceilings using separate accessories. Direct/indirect light distribution and completely even illumination of the light field through the light guide panel (LGP). Workplace lighting suitable for computer workstations in accordance with DIN EN 12464-1 UGR < 19 through conical micro-structured prism (CDP). 3,000K or 4,000K models, On/Off or DALI.





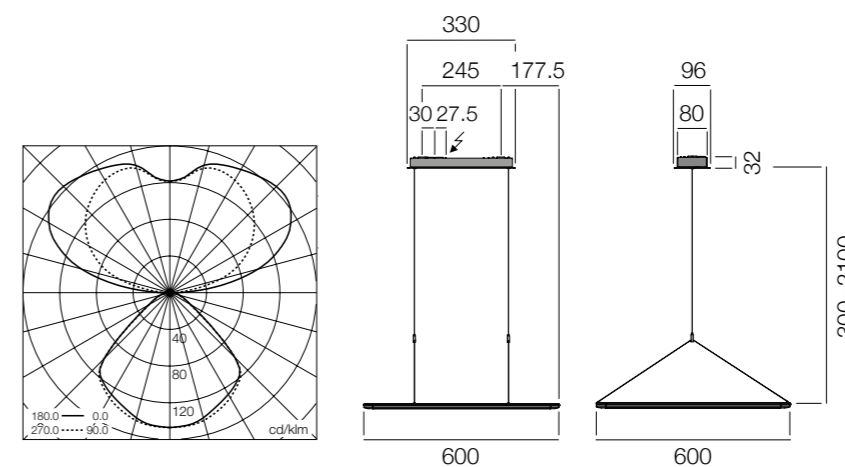
DESIGNS

Item no.	Dimensions	CCT	CRI	Φ Ng	ε Ng
R13 73XY.B	15 x 600 x 600 mm	3,000 K	≥ 80	4,044 lm	105 lm/W*
R13 77XY.B	15 x 600 x 600 mm	3,000 K	≥ 90	3,486 lm	91 lm/W*
R13 74XY.B	15 x 600 x 600 mm	4,000 K	≥ 80	4,183 lm	109 lm/W*
R13 78XY.B	15 x 600 x 600 mm	4,000 K	≥ 90	3,625 lm	94 lm/W*

*figure for DALI version

DESIGN OPTIONS

Shape X		Activation Y	
Curved edges		R** **1*.B	On/Off P=38.9W R** **1.B
Straight edges		R** **6*.B	DALI P=38.4W R** **6.B



ACCESSORIES



CEILING MOUNTING KIT, SQUARE = 1-27 MM

Mounting set for baldachin in suspended ceilings with a thickness of 1-27 mm
Suitable for the small, medium and large square models.

R90 0011 CHIARA ceiling mounting kit, square = 1-27 mm



CEILING MOUNTING KIT, RECTANGULAR = 1-27 MM

Mounting set for baldachin in suspended ceilings with a thickness of 1-27 mm
Suitable for rectangular and long rectangular models.

R90 0021 CHIARA ceiling mounting kit, rectangular = 1-27 mm



CEILING MOUNTING KIT, SQUARE = 27-50 MM

Mounting set for baldachin in suspended ceilings with a thickness of 27-50 mm
Suitable for the small, medium and large square models.

R90 0012 CHIARA ceiling mounting kit, square = 27-50 mm



CEILING MOUNTING KIT, RECTANGULAR = 27-50 MM

Mounting set for baldachin in suspended ceilings with a thickness of 27-50 mm
Suitable for rectangular and long rectangular models.

R90 0022 CHIARA ceiling mounting kit, rectangular = 27-50 mm

GENERAL INFORMATION

GENERAL INFORMATION

We reserve the right to make technical and design changes to our products owing to new technical developments. The images and descriptions reflect the products as they were when this luminaire brochure went to print. Errors are reserved. We would be happy to provide you with current documents upon request.

The colours and surfaces of our products are supplied in accordance with the product descriptions. Unless otherwise mentioned, these colours are as follows:

White	(similar to RAL 9016)
Black	(similar to RAL 9005)
Silver	(similar to RAL 9006)
Silver/bronze 3115	(similar to Euras C-31)

All dimensions are given in millimetres.

Where available, the photometric data can be found in the corresponding light distribution curves.



reddot award 2018
winner lighting design


(Rectangular suspension luminaire, curved edges)

SYMBOLS AND ACRONYMS

CE Products comply with European Union Directives.

IP20 Protection against the ingress of solid foreign bodies measuring more than 12 mm in diameter

 Only for use indoors

 Luminaires in protective class I – with protective earth terminal

ON/OFF Can be turned on/off

DALI Dimmable ballast in accordance with the DALI standard

 Certified in accordance with the current Minergie certification standards

MINERGIE PENDING Not certified, but complies with the current Minergie requirements

LED LED lamps can be replaced at the factory.

0 Hz SAFETY DC operation possible, product suitable for emergency power (see operating device label)

EN12464 Meets the requirements for office workspaces in accordance with the relevant standard

LIGHT TECHNOLOGY

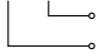
Φ Ng [lm] Total net luminous flux

CCT Colour temperature (in Kelvin)

CRI Colour rendering index

Example:

≥80 (82)

 Measured value
Minimum value

UGR glare rating (unified glare rating)
X=4H, Y=8H, S=0.25H
Reflectances 70/50/20
Reference values in accordance with EN12464-1

